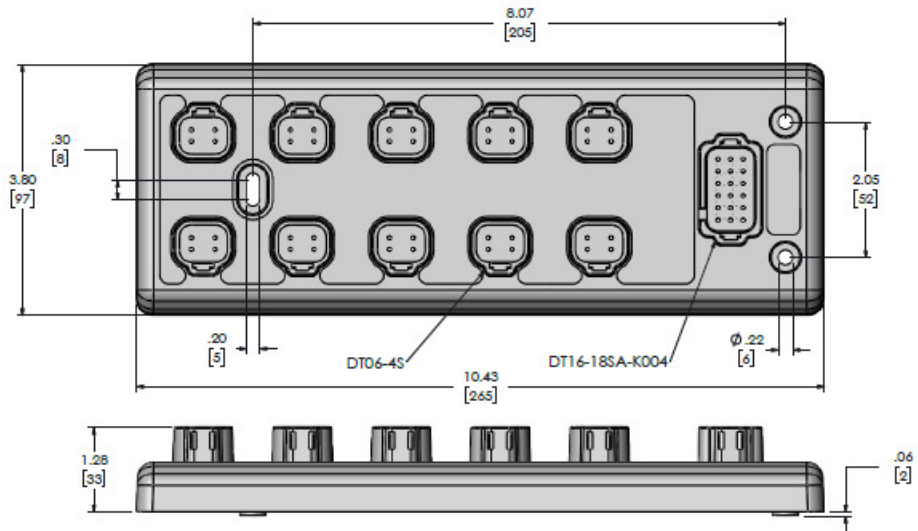


Data Sheet

DP-34045-4-000

xtremeDB
xDB-4-NPN
Passive Module
Common Bus Power
NPN Sensors
8-32 Vdc
United States Patent:
US 10,069,226
Sep. 4, 2018



Technical Data

<i>Housing</i>	Molded plastic
<i>Dimensions (l x w x h)</i>	3.80 x 10.43 x 1.34 inch (97 x 265 x 34 mm)
<i>Weight</i>	1.5 lbs (0.68 kg)
<i>Installation (mounting hardware not included)</i>	Screw: 3 x #10 (3 x M5) Torque: 21 in-lbs (2.4 Nm) max.
<i>Mating Connectors and Accessories</i> <i>Operating Voltage, Ground, and Configuration</i> <i>I/O-Ports</i>	18 Pole Plug DT16-18SA or equivalent 4 Pole Plug 10 x DT06-4S or equivalent
<i>DEUTSCH size 20 Socket</i> <i>DEUTSCH size 16 Socket</i> <i>DEUTSCH Seal Plug</i>	0462-201-20141 0462-201-16141 114017-ZX
<i>Total I/O</i>	16 (2 mirrored ports: ports 7 & 9 and ports 8 & 10)
<i>Operating Voltage (Battery)</i>	8...32 V DC
<i>Switching Current</i>	13 A per pin max.
<i>Total Current (Battery)</i>	26 A max.
<i>Total Current (IO)</i>	8 A max.
<i>Operating Temperature</i>	-40...80 °C
<i>Storage Temperature</i>	-40...85 °C
<i>IP67</i>	Connector seal plugs required for unused pins. Sealing plugs required for unused ports.

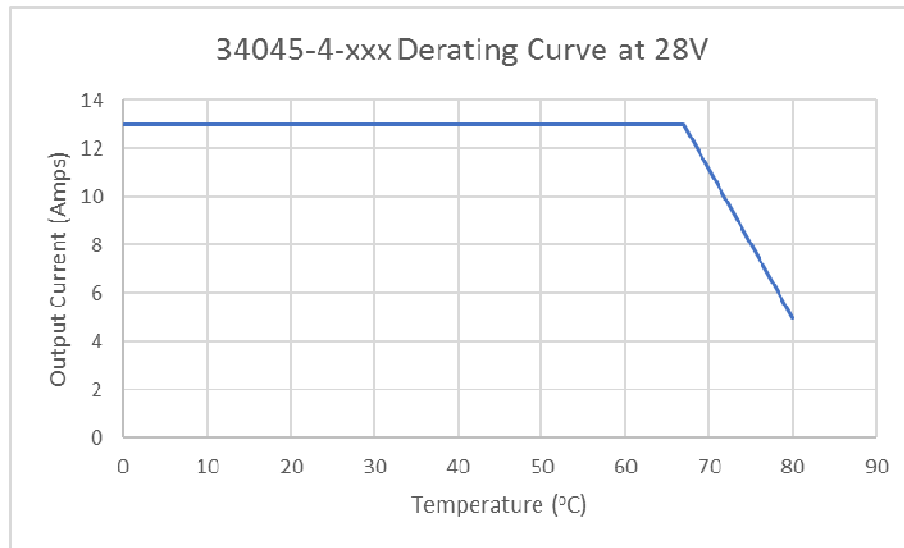



				Date	Name	Data Sheet	
				Originator	02.10.17		JNa
				Approved	02.10.17		KGu
d	DCN F256	05.18.20	FSa	DATA PANEL A Murrelektronik Company		xtremeDB Passive Module xDB-4-NPN	
c	DCN F112	12.02.19	FSa				
Rev.	Description	Date	Name				
b	Initial release	02.10.17	JNa	DP-34045-4-000_db_e_d.docx	Art. No.: DP-34045-4-000		
						The trademark DEUTSCH is owned by the TE Connectivity Ltd. family of companies.	
						Sheet 1 of 4	

Operating States (LEDs)	Color	Status
OUT	Yellow	Left LED – Output A Right LED – Output B

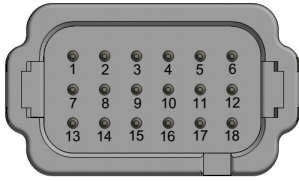
Test Standards and Regulation	
Climatic Tests	Temperature Shock to EN 60068-2-14:2000-08
Mechanical Tests	Vibration to JDQ 53.3 6.1.1 & 6.1.2, level 4 Shock to EN 60068-2-27:2009, test Ea Bump to EN 60068-2-29:2009, test Eb IP protection to EN 60529:2000-09, test IP67
CE	RoHS: Directive 2011/65/EU

Derating Curve



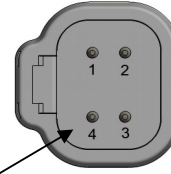
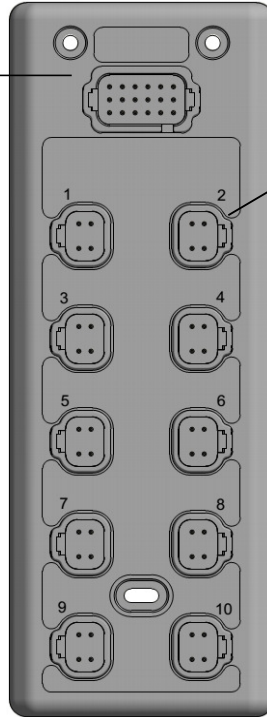
				Date	Name	Data Sheet xtremeDB Passive Module xDB-4-NPN	
				Originator	02.10.17		JNa
				Approved	02.10.17		KGu
d	DCN F256	05.18.20	FSa	 A Murrelektronik Company		Art. No.: DP-34045-4-000	
c	DCN F112	12.02.19	FSa				
Rev.	Description	Date	Name			Sheet 2 of 4	
b	Initial release	02.10.17	JNa	DP-34045-4-000_db_e_d.docx	The trademark DEUTSCH is owned by the TE Connectivity Ltd. family of companies.		

Connector Interface



Connections:

1. Port 1, Pin 4: IO-1A
2. Port 1, Pin 2: IO-1B
3. Port 2, Pin 4: IO-2A
4. Port 2, Pin 2: IO-2B
5. Port 3, Pin 4: IO-3A
6. Port 3, Pin 2: IO-3B
7. Port 4, Pin 4: IO-4A
8. Port 4, Pin 2: IO-4B
9. Port 5, Pin 4: IO-5A
10. Port 5, Pin 2: IO-5B
11. Port 6, Pin 4: IO-6A
12. Port 6, Pin 2: IO-6B
13. Port 7 & 9, Pin 4: IO-7A
14. Port 7 & 9, Pin 2: IO-7B
15. Port 8 & 10, Pin 4: IO-8A
16. Port 8 & 10, Pin 2: IO-8B
17. Battery
18. Battery



Connections:

Power Ports 1 to 10
 Pin 1 = Battery
 Pin 3 = Battery

Input/Output Ports 1 to 10

Port 1, Pin 4: IO-1A
 Port 1, Pin 2: IO-1B

Port 2, Pin 4: IO-2A
 Port 2, Pin 2: IO-2B

Port 3, Pin 4: IO-3A
 Port 3, Pin 2: IO-3B


Port 4, Pin 4: IO-4A
 Port 4, Pin 2: IO-4B

Port 5, Pin 4: IO-5A
 Port 5, Pin 2: IO-5B

Port 6, Pin 4: IO-6A
 Port 6, Pin 2: IO-6B

Port 7 & 9, Pin 4: IO-7A
 Port 7 & 9, Pin 2: IO-7B

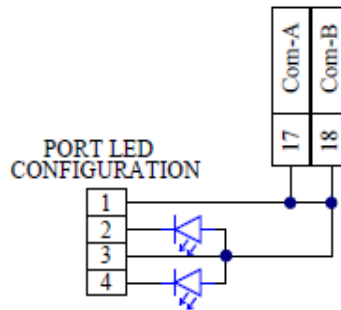
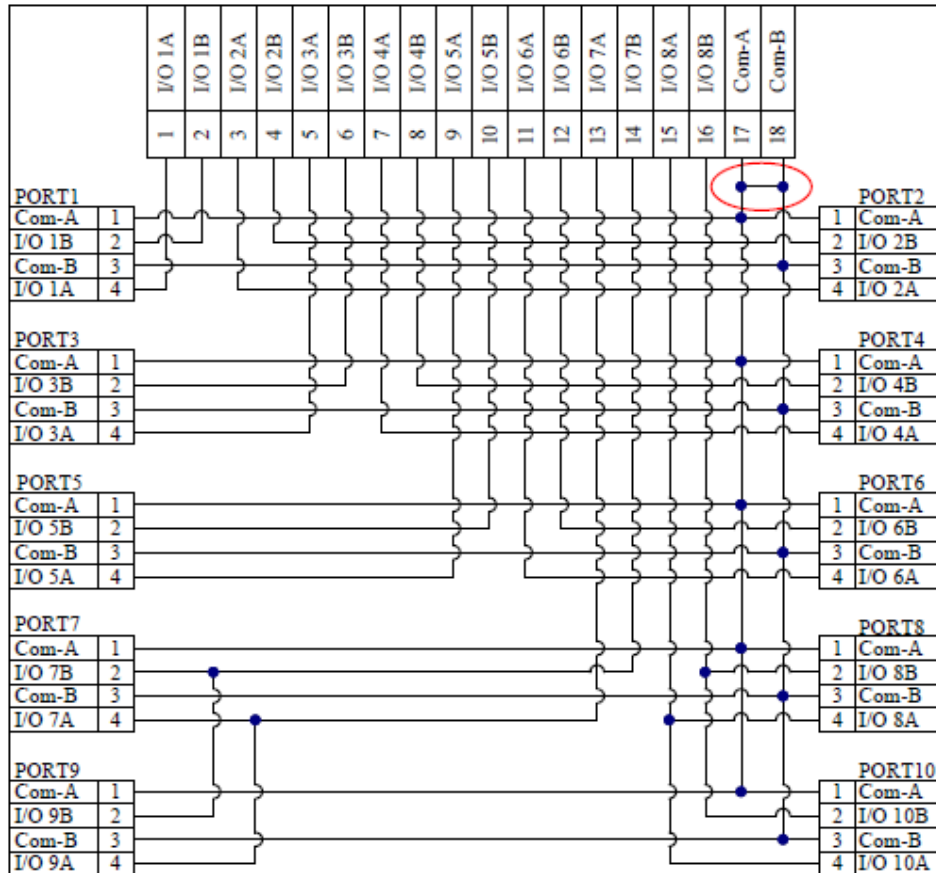
Port 8 & 10, Pin 4: IO-8A
 Port 8 & 10, Pin 2: IO-8B


				Date	Name	Data Sheet	
				Originator	02.10.17		JNa
				Approved	02.10.17		KGu
d	DCN F256	05.18.20	FSa	 A Murrelektronik Company		xtremeDB Passive Module xDB-4-NPN	
c	DCN F112	12.02.19	FSa				
Rev.	Description	Date	Name	Art. No.: DP-34045-4-000		Sheet	
b	Initial release	02.10.17	JNa	DP-34045-4-000_db_e_d.docx	3 of 4		

The trademark DEUTSCH is owned by the TE Connectivity Ltd. family of companies.

Connector Wire Diagram

34045-4-000 I/O Diagram



					Date	Name	Data Sheet xtremeDB Passive Module xDB-4-NPN	
				Originator	02.10.17	JNa		
				Approved	02.10.17	KGu		
d	DCN F256	05.18.20	FSa	 A Murrelektronik Company			Art. No.: DP-34045-4-000	Sheet
c	DCN F112	12.02.19	FSa				4 of 4	
Rev.	Description	Date	Name					
b	Initial release	02.10.17	JNa	DP-34045-4-000_db_e_d.docx	The trademark DEUTSCH is owned by the TE Connectivity Ltd. family of companies.			