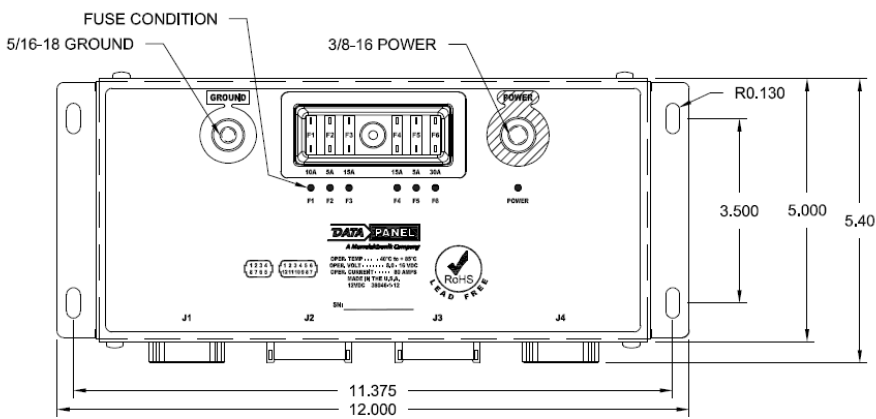


# Data Sheet

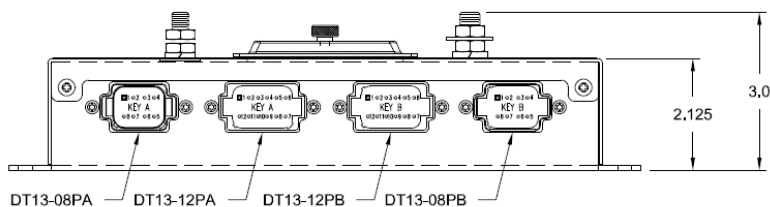
**DP-38046-1-12**

## SCR Relay Module

**12 Volt with short cover for fuses**



FUSE ACCESS COVER IS SHOWN AS CLEAR FOR ILLUSTRATION PURPOSES ONLY, ACTUAL COVER IS BLACK.



### Technical Data

<b>Housing</b>	Aluminum, black anodized
<b>Envelope Dimensions (l x W x h)</b>	12 x 5.4 x 3 inches
<b>Installation</b>	Screw connection 4 x #8
<b>Mating connectors</b>	
J1 – Deutsch 8 Pin Key A	DT06-8SA
J2 – Deutsch 12 Pin Key A	DT06-12SA
J3 – Deutsch 12 Pin Key B	DT06-12SB
J4 – Deutsch 8 Pin Key B	DT06-8SB
<b>Operating Voltage</b>	8-16V DC
<b>Input Current</b>	80A max.
<b>Max Output Current</b>	13A per pin
<b>Total Inputs</b>	2 – 1 Main Power 3/8" Stud 1 Main Ground 5/16" Stud
<b>Total Outputs</b>	34
<b>Torque specification</b>	Power Stud (3/8-16): dry torque 154 in-lbs. Ground Stud (5/16-18): dry torque 86 in-lbs.
<b>Operating Temperature</b>	-40 to 85 °C
<b>Storage Temperature</b>	-40 to 95 °C
<b>Protection</b>	IP65- Housing only, user to protect input studs

				Date	Name
				02.12.19	TSh
				02.12.19	TSh
b	Rev B	03.14.19	TSh		
a	Initial	02.12.19	TSh		

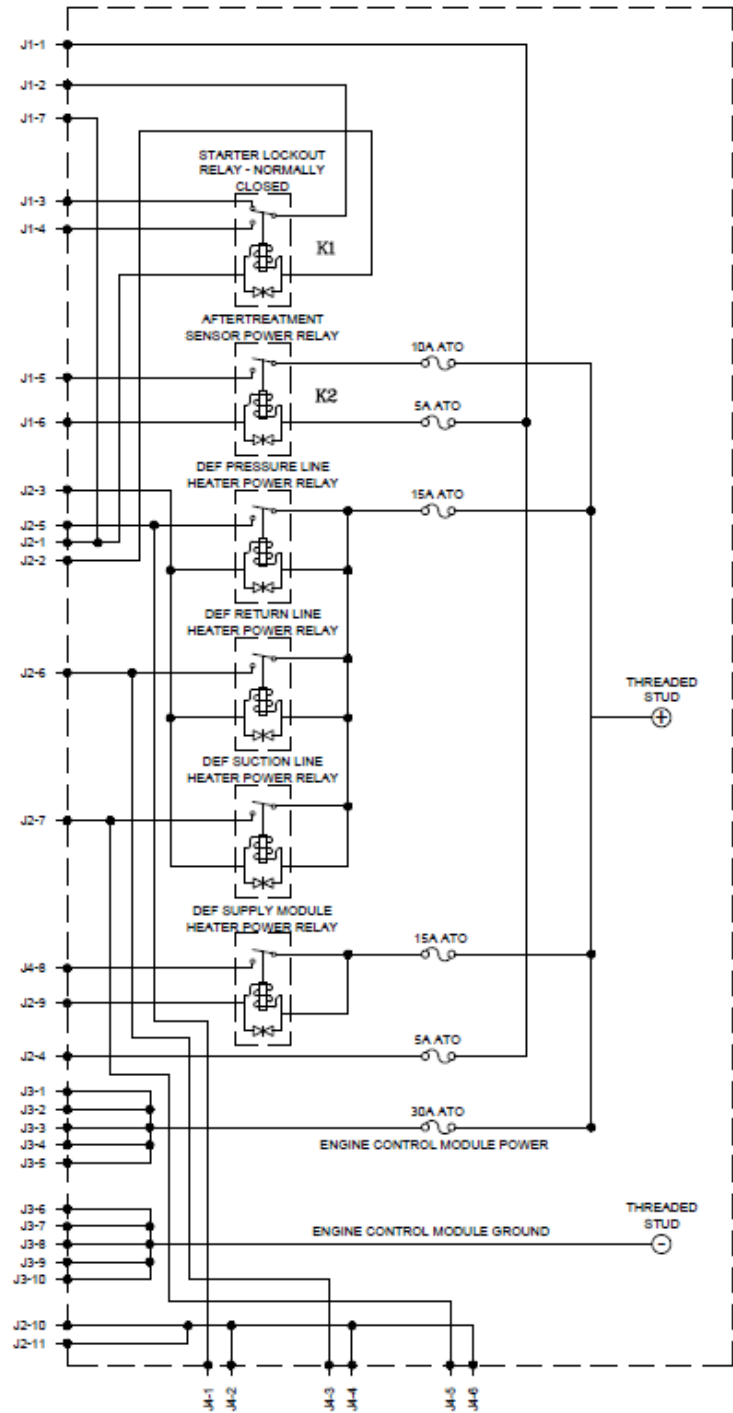


**Data Sheet**  
**SCR Relay Module**  
**12 Volt for Fuses**


**Art. No.: DP-38046-1-12**

Sheet  
1 of 3

Functional Schematic



Fuse Number	Rating @ 12Vdc	Description
F1	10A	Relay K2 Sensor Power
F2	5A	Relay K2 +
F3	15A	Relay K3 DEF Pressure Relay K4 DEF Return Relay K5 DEF Suction
F4	15A	Relay K6 DEF Supply
F5	5A	ECM Keyswitch ACC
F6	30A	ECM Battery Power

Rev.				Date	Name
			Originator	02.12.19	TSh
			Approved	02.12.19	TSh
			 A Murrelektronik Company		
b	Rev B	03.14.19			
a	Initial	02.8.19	TSh		


<b>Data Sheet</b> <b>SCR Relay Module</b> <b>12 Volt for Fuses</b>	
<b>Art. No.: DP-38046-1-12</b>	Sheet 2 of 3

Connector	Name	Rating
J1-1	Key Switch ACC	10A
J1-2	Key Switch Start	3A
J1-3	Starter Lockout Relay K1 NC	3A
J1-4	Starter Lockout Relay K1 NO	3A
J1-5	Sensor Power	10A
J1-6	K2 Coil -	3A
J1-7	Grid Heater Relay (-)	3A
J1-8	NOT USED	
J2-1	ECM Grid Heater Relay (-)	3A
J2-2	ECM Start Lockout Relay (+)	3A
J2-3	ECM DEF Line Heater Relay (-)	3A
J2-4	ECM Key switch ACC	5A
J2-5	ECM DEF Pressure Line Diagnostic	3A
J2-6	ECM DEF Return Line Diagnostic	3A
J2-7	DEF Suction Line Diagnostic	3A
J2-8	NOT USED	
J2-9	ECM DEF Supply Module Relay (-)	3A
J2-10	ECM DEF Current Monitor P1	8A
J2-11	ECM DEF Current Monitor P2	8A
J2-12	NOT USED	
J3-1	ECM Battery Supply	6A
J3-2	ECM Battery Supply	6A
J3-3	ECM Battery Supply	6A
J3-4	ECM Battery Supply	6A
J3-5	ECM Battery Supply	6A
J3-6	ECM Ground	6A
J3-7	ECM Ground	6A
J3-8	ECM Ground	6A
J3-9	ECM Ground	6A
J3-10	ECM Ground	6A
J3-11	NOT USED	
J3-12	NOT USED	
J4-1	Hose Heat Pressure	3A
J4-2	Hose Heat Pressure	3A
J4-3	Hose Heat Return	3A
J4-4	Hose Heat Return	3A
J4-5	Hose Heat Suction	3A
J4-6	Hose Heat Suction	3A
J4-7	NOT USED	
J4-8	DEF Supply Module	15A

Vom EDV-System heruntergeladene bzw. ausgedruckte Dokumente besitzen informativen Charakter und unterliegen nicht dem Änderungsdienst. / Documents downloaded by the EDP system and/or printed out have only an informative character and are not subject to the updating service.

Schutzvermerk nach DIN 34 beachten / Copyright reserved (DIN 34-E)

Technische Änderungen vorbehalten / We reserve the right to change this specification

Rev.				Date	Name	<b>Data Sheet</b> <b>SCR Relay Module</b> <b>12 Volt for Fuses</b>	
				Originator	02.12.19	TSh	
				Approved	02.12.19	TSh	
				 A Murrelektronik Company			
b	Rev B	03.14.19	TSh				<b>Art. No.: DP-38046-1-12</b>
a	Initial	02.8.19	TSh				Sheet 3 of 3