

| SCR RELAY MODULE



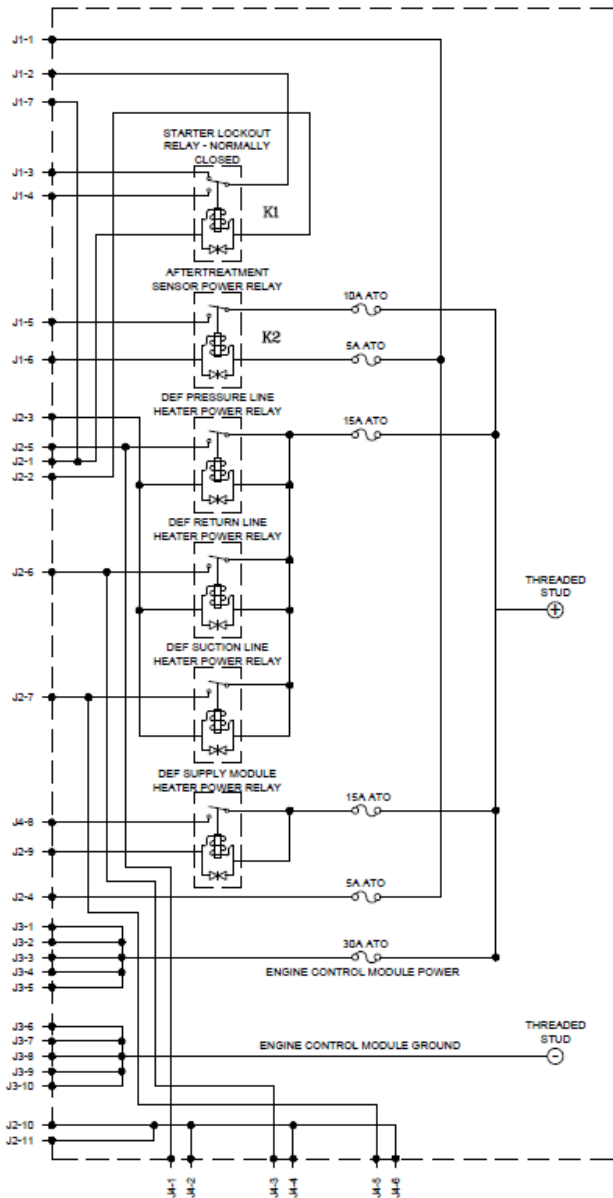
Accelerate, simplify and reduce the cost of installation of your Cummins® Tier 4 DEF system

The SCR Relay Module combines all the required relays for a DEF control system and the ECM power into one easy to mount component. This unit eliminates the need for OEM's to tediously wire the relays and fuses required by Tier 4 engines with SCR systems to control DEF and primary engine controller power.

In addition to being a cleaner, MUCH faster to install, system there are added service benefits in the way of LED fault indication, robust Deutsch connectors and all components in one visible easy to get to location. Telephone support is much easier when OE support teams can quickly direct customers to components on the machine that are easy to find and identify as opposed to relays and fuses buried in harnesses around the machine.

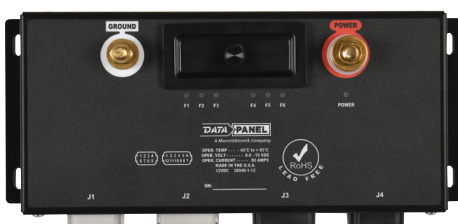
- Includes all circuitry for required SCR System Relays and Fuses
- A solution for Cummins® Industrial SCR engines
- 4 Keyed Deutsch® Connections and you're done
- Includes Power/Ground Connections and Fusing for the ECM
- LED Fuse Status and Main Power Indication
- Available for 12 and 24V Systems
- IP65 Rated
- Main power and ground lugs can be used as junctions

| SPECIFICATIONS



| Connector | Name | Rating |
|-----------|----------------------------------|--------|
| J1-1 | Key Switch ACC | 10A |
| J1-2 | Key Switch Start | 3A |
| J1-3 | Starter Lockout Relay K1 NC | 3A |
| J1-4 | Starter Lockout Relay K1 NO | 3A |
| J1-5 | Sensor Power | 10A |
| J1-6 | K2 Coil - | 3A |
| J1-7 | Grid Heater Relay (-) | 3A |
| J1-8 | NOT USED | |
| J2-1 | ECM Grid Heater Relay (-) | 3A |
| J2-2 | ECM Start Lockout Relay (+) | 3A |
| J2-3 | ECM DEF Line Heater Relay (-) | 3A |
| J2-4 | ECM Key switch ACC | 5A |
| J2-5 | ECM DEF Pressure Line Diagnostic | 3A |
| J2-6 | ECM DEF Return Line Diagnostic | 3A |
| J2-7 | DEF Suction Line Diagnostic | 3A |
| J2-8 | NOT USED | |
| J2-9 | ECM DEF Supply Module Relay (-) | 3A |
| J2-10 | ECM DEF Current Monitor P1 | 8A |
| J2-11 | ECM DEF Current Monitor P2 | 8A |
| J2-12 | NOT USED | |
| J3-1 | ECM Battery Supply | 6A |
| J3-2 | ECM Battery Supply | 6A |
| J3-3 | ECM Battery Supply | 6A |
| J3-4 | ECM Battery Supply | 6A |
| J3-5 | ECM Battery Supply | 6A |
| J3-6 | ECM Ground | 6A |
| J3-7 | ECM Ground | 6A |
| J3-8 | ECM Ground | 6A |
| J3-9 | ECM Ground | 6A |
| J3-10 | ECM Ground | 6A |
| J3-11 | NOT USED | |
| J3-12 | NOT USED | |
| J4-1 | Hose Heat Pressure | 3A |
| J4-2 | Hose Heat Pressure | 3A |
| J4-3 | Hose Heat Return | 3A |
| J4-4 | Hose Heat Return | 3A |
| J4-5 | Hose Heat Suction | 3A |
| J4-6 | Hose Heat Suction | 3A |
| J4-7 | NOT USED | |
| J4-8 | DEF Supply Module | 15A |

See data sheet for additional details.



| Description | Article Number |
|---------------|----------------|
| 12V for fuses | DP-38046-1-12 |
| 24V for fuses | DP-38046-1-24 |

Fuses/breakers are not included.